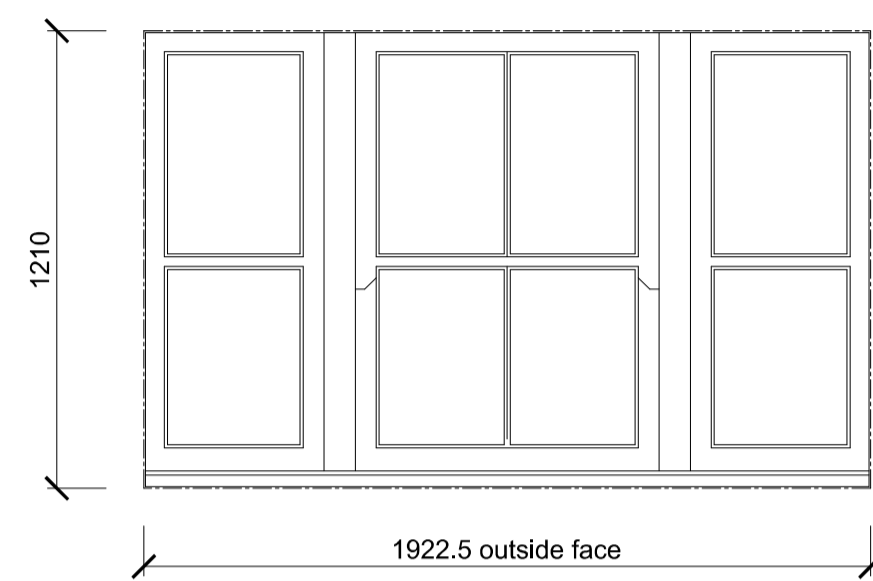
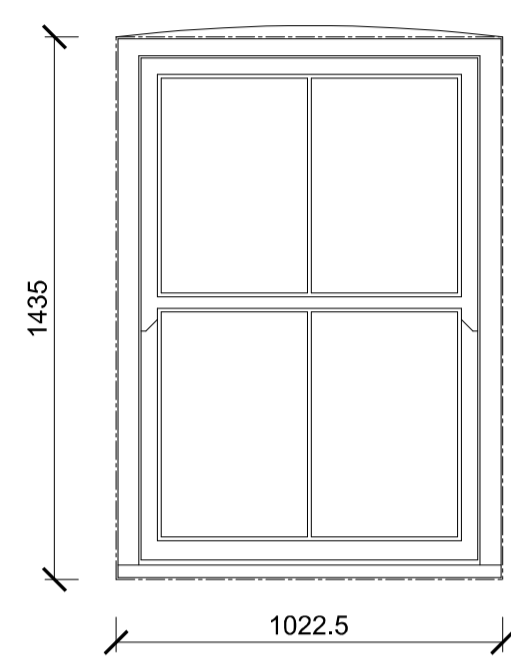


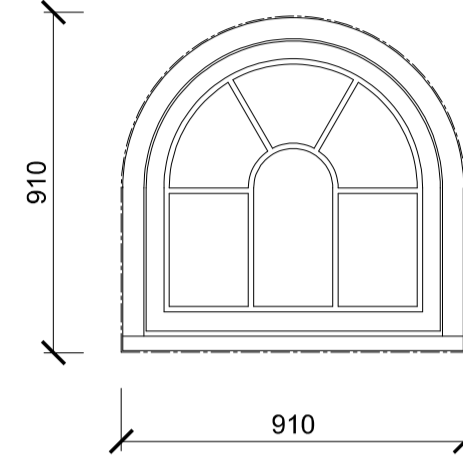
Window Type A
Scale 1:20.
W1.02-01 W1.07-01
W1.03-01 W1.08-01
W1.04-01 W1.10-01
W1.11-01



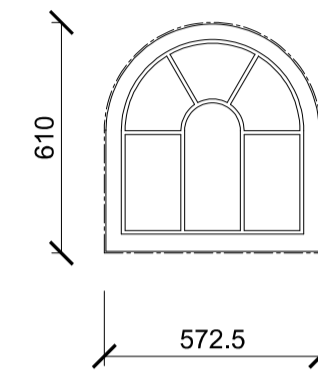
Window Type B
Scale 1:20.
W1.01-02
W1.01-03



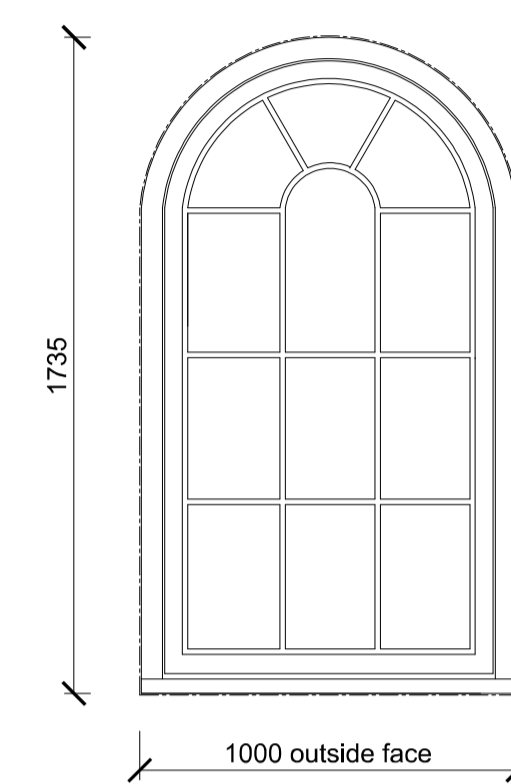
Window Type C
Scale 1:20.
W2.01-01
W2.02-01
W2.02-02
W2.04-01
W2.04-02
W2.05-01



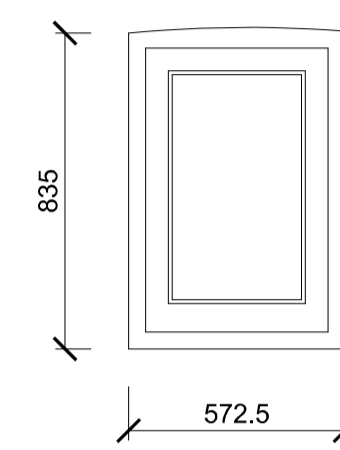
Window Type D
Scale 1:20.
W2.04-01



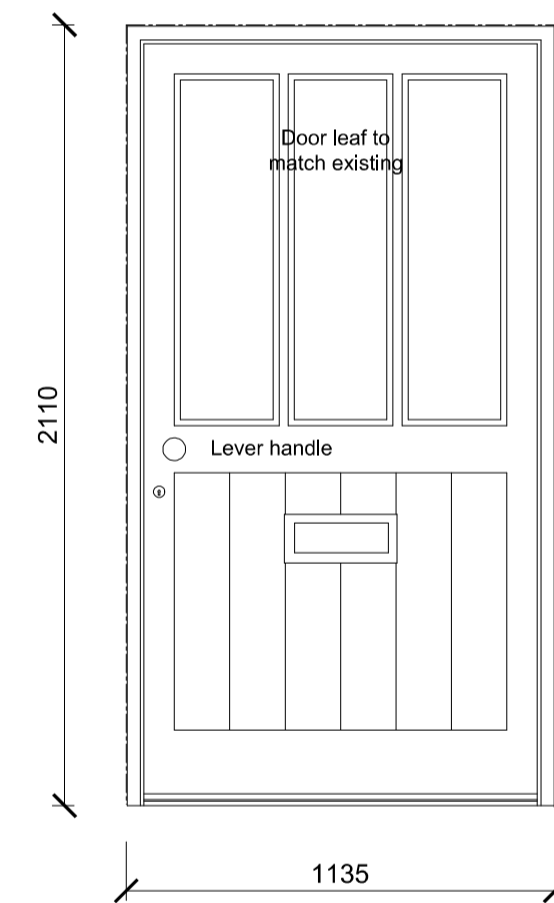
Window Type E
Scale 1:20.
W2.06-01



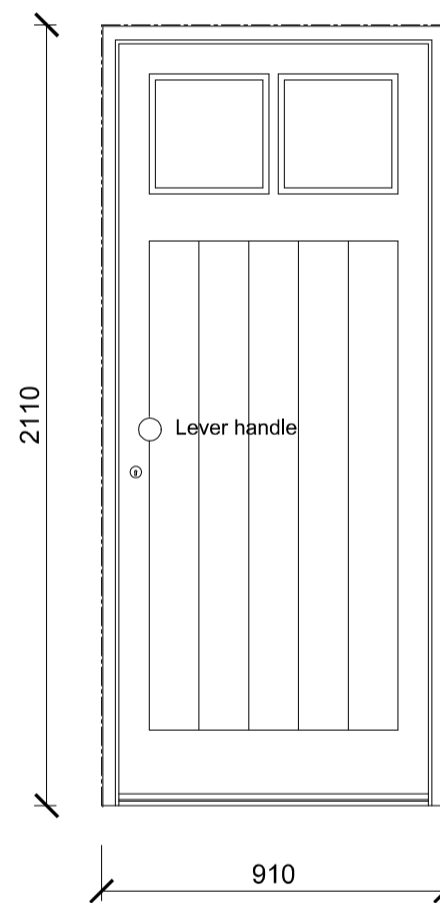
Window Type F
Scale 1:20.
W1.01-01
W1.11-02



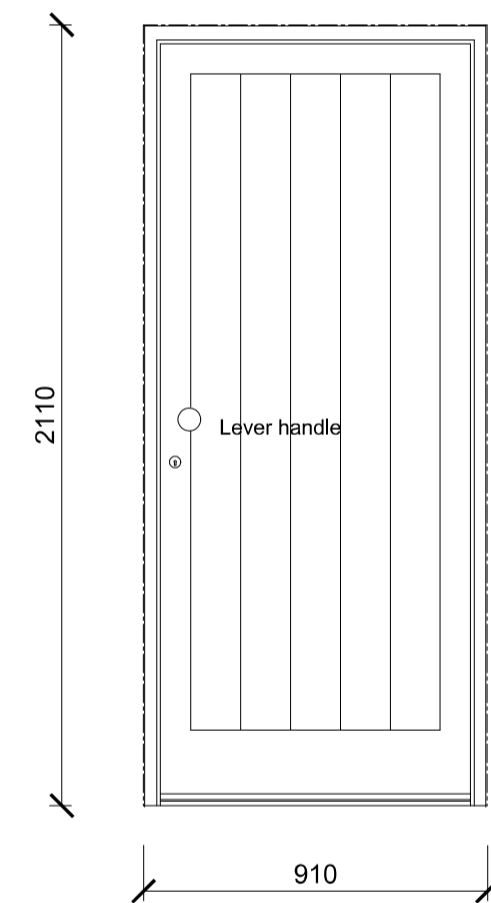
Window Type G
Scale 1:20.
W2.04-03 W2.06-02
W2.02-03 W2.03-01
Obscured glass



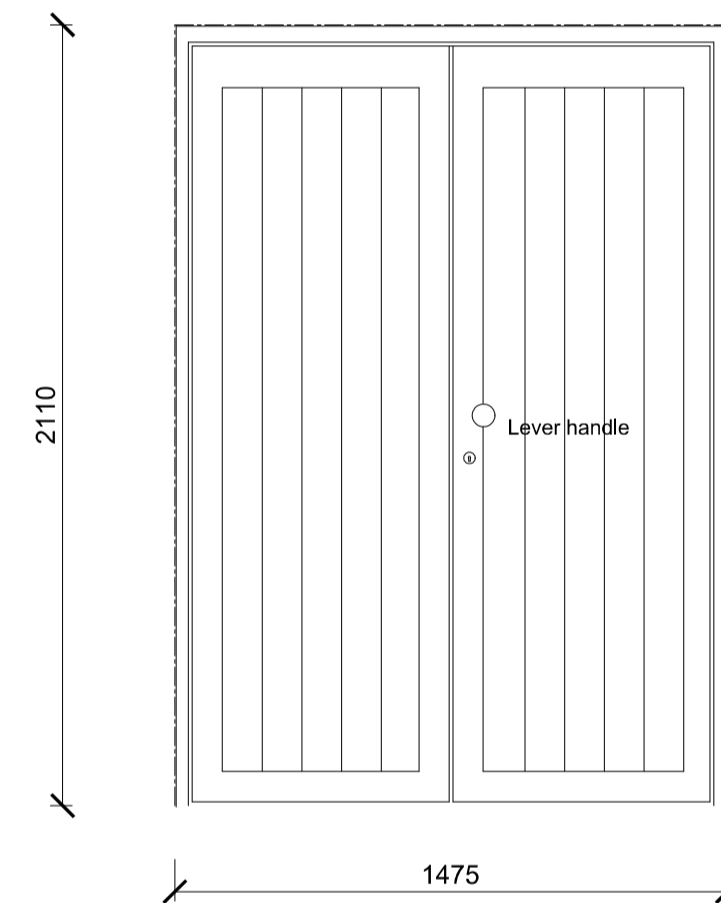
Door Type A
Scale 1:20.
D1.01-01 D1.08-01
D1.02-01 D1.09-01
D1.03-01 D1.10-01
D1.04-01 D1.10-01
D1.07-01



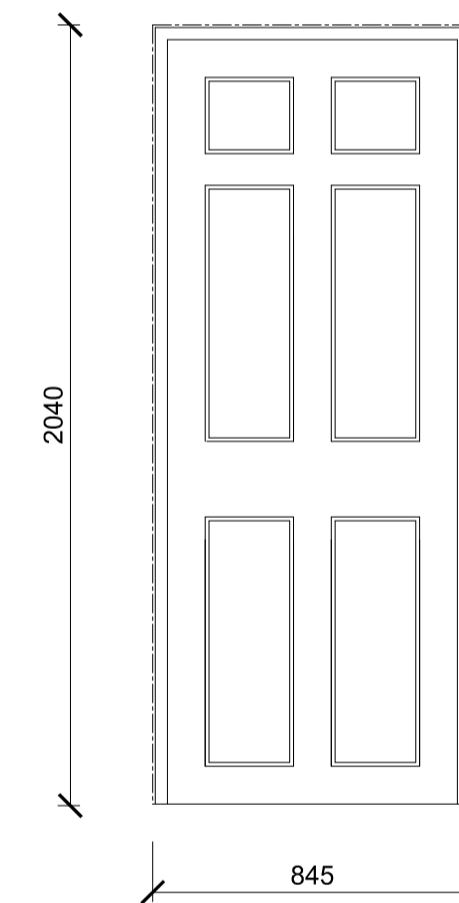
Door Type B
Scale 1:20.
D1.06-01
D1.09-01



Door Type C
Scale 1:20.
D1.12-01

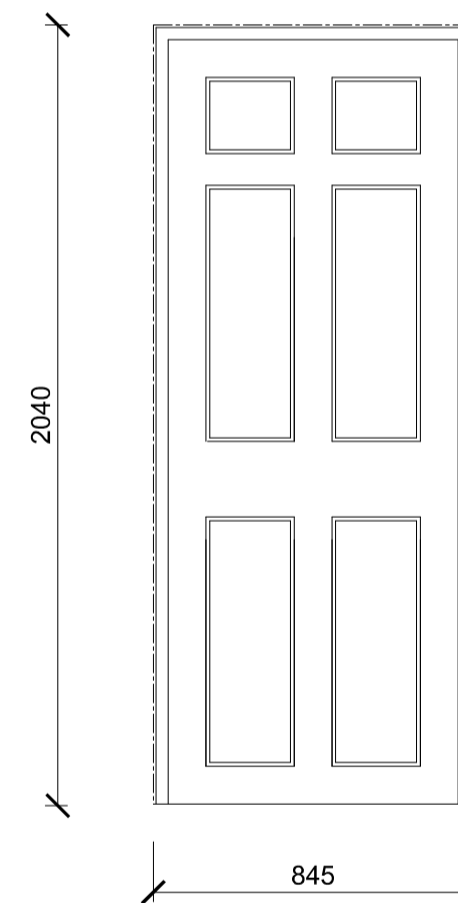


Door Type D
Scale 1:20.
D1.05-01



Door Type E
Scale 1:20.
D2.02-01
D2.05-02
D2.07-01

6 panel door 1981x762mm,
Howdens Joinery Co ref D1C3960
Painted finish



Door Type F
Scale 1:20.
D2.02-01
D2.05-02
D2.07-01
FD 30S

6 panel door 1981x762mm,
Howdens Joinery Co ref D1F0561,
Painted finish

Ironmongery

Internal doors to studios
Supply and fit hinges and mortice latches and fit only door handles to be supplied by client.

Fire doors: supply and fit Britain 2003 door closer.

External doors to studios: supply and fit hinges, 5 lever mortice dead lock, mortice latch and 'Yale' P94401 spy hole and fit only door handles and letter box to be supplied by client.

External doors to shop units: supply and fit hinges and 'Yale' Rimlock No. 85, and fit only door handles to be supplied by client.

Windows to studios: supply and fit 'Yale' P113 window toggle locks.

Finishes

Unless noted otherwise all doors to be bespoke SW with paint finish

Doors to shops

Doors to be level access and to have suitable weather protection

Min. effective clear opening of 1000mm

Safety glass to BS6206:1981 to doors w/ glazing below 1500mm

Doors to have at least the min. zone of visibility between 500mm and 1500mm from the floor, if necessary interrupted between 800mm and 1150mm above the floor

Door furniture to be between 450mm and 1200mm above finished floor level and can be operated w/ one hand using a closed fist

All door opening furniture should contrast visually w/ the surface of the door and not be cold to the touch

Doors to Studio's

Safety glass to BS6206:1981 to doors w/ glazing below 1500mm

Door furniture to be between 450mm and 1200mm above finished floor level and can be operated w/ one hand using a closed fist

Windows

All glazing to be double glazed units w/ soft low-E coating

Safety glass to BS6206:1981 to windows w/ glazing below 800mm

Horizontal bars to inside of windows to a height no lower than 800mm above finish floor level with max. 100mm spacing

Sash windows to have adjustable fixed locking positions in order to secure window when open for background ventilation.
Area of secure opening at top of window to be min. 8000mm²

A	Construction Issue	02.01.07
Rev.	Amendment	Date
Project: New Build Flats and Shops St John Square, Glastonbury		Drawing: Door and Window Schedule
Client: Mr and Mrs Hill		
Scale: 1:20	Date: Oct '06	Orgnl Drw: A1
Drawing No: 305/401	Rev: -	

Mark Orme Architects Ltd
www.markormearchitects.co.uk

70, High Street,
Somerset
BA16 0EH
Tel: 01458 445100
Fax: 01458 445200
Mob: 07768 313750
info@markormearchitects.co.uk

The title, copyright and confidential information in this document belongs to Mark Orme Architects Limited, all Rights reserved.
All dimensions to be checked on site before work commences and any discrepancies reported to the architect immediately.
This drawing is to be read in conjunction with other documents issued by the architect.